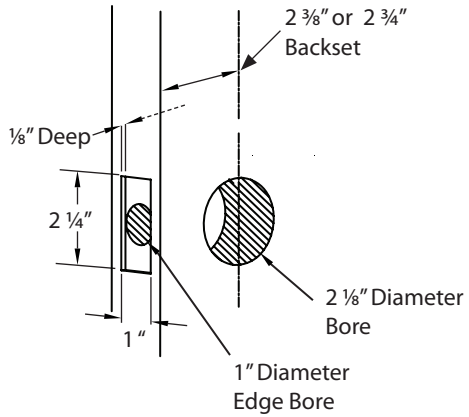
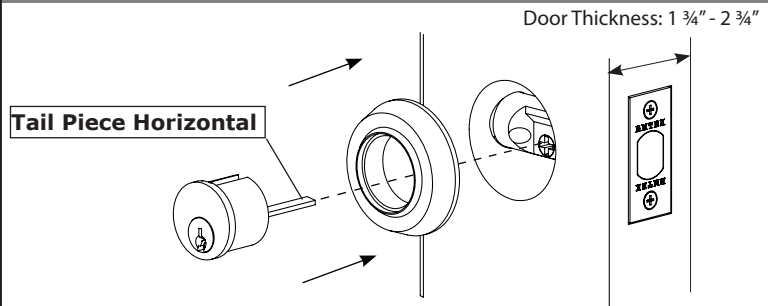


Installation Guide - Single Cylinder Deadbolts

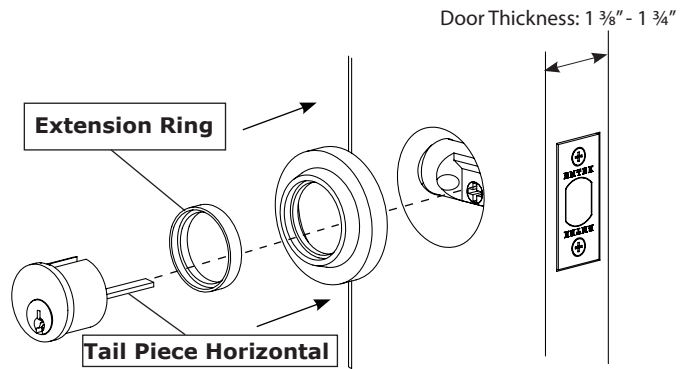
1. Door Prep



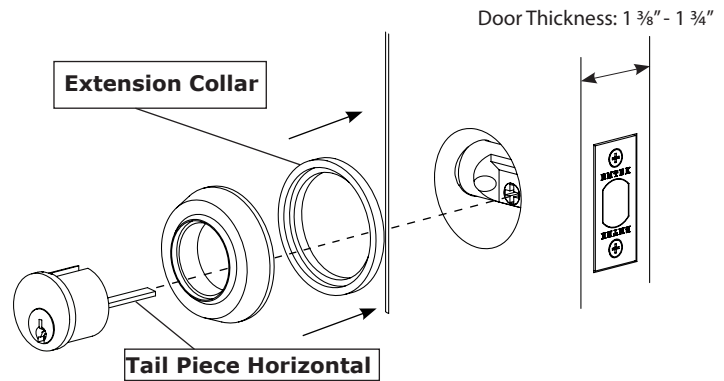
Install Deadbolt on regular door.



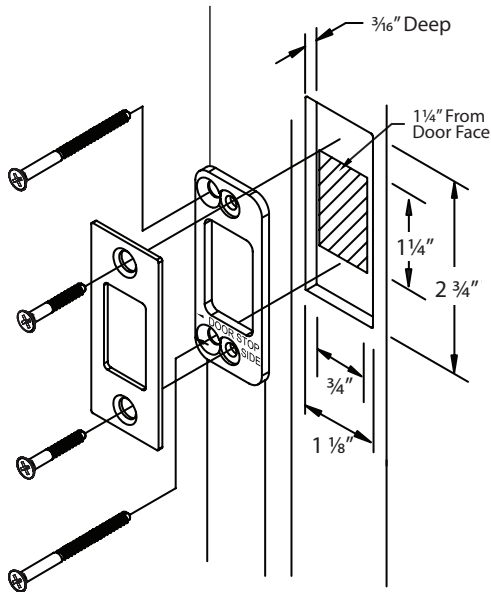
Install Deadbolt on thin door. Extension Ring is provided for the following products: 8454, 8466, 8468, 8458, 8459, 8467, 8469, 8475



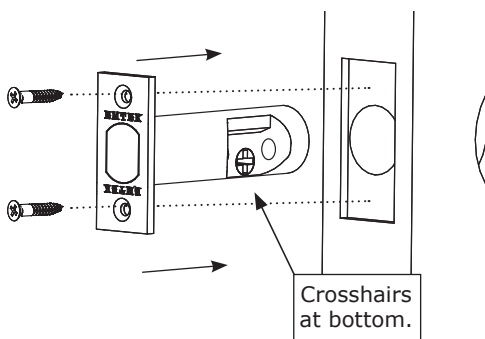
Install Deadbolt on thin door. Extension Collar is provided for the following products: 8455, 8464



2. Door Jamb Prep



3. Install Latch



5. Inside Installation

