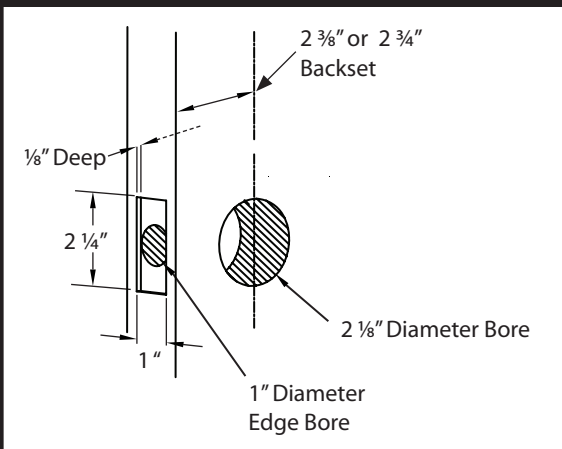
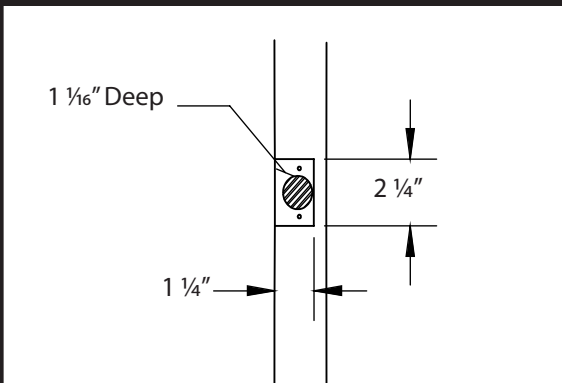


## 1. Door Prep

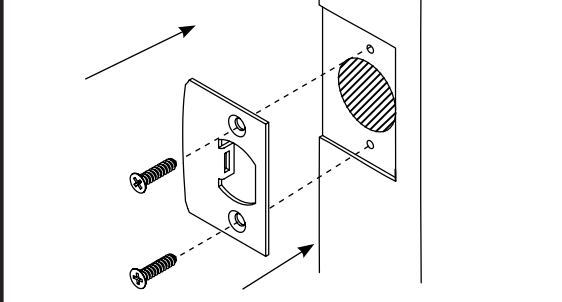


## 2. Door Jamb Prep



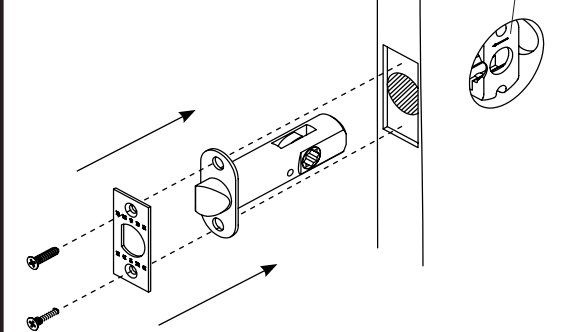
## 3. Install Strike Plate

Fasten Strike Plate with #8 wood screws (provided).



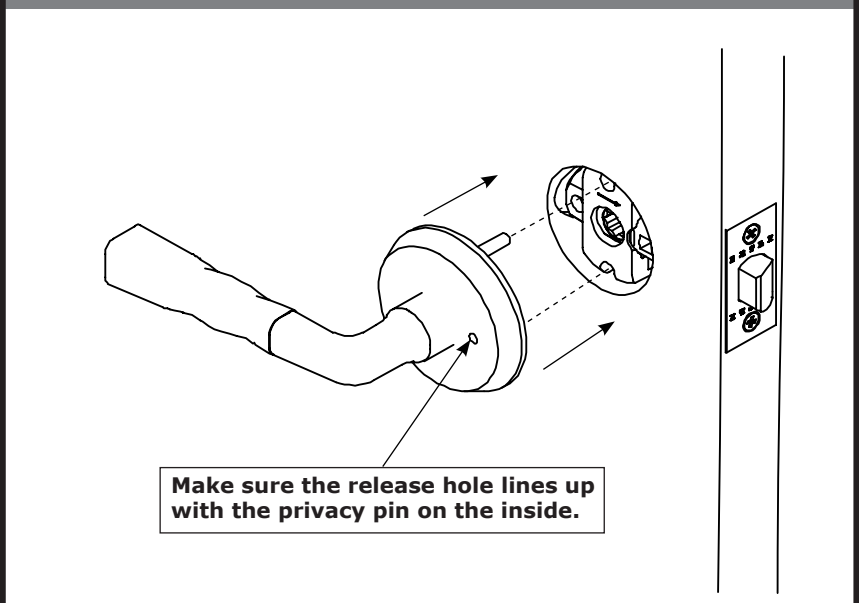
## 4. Install Latch

Place Plastic Alignment Tool in bore hole. Insert latch and fasten with two #8 wood screws (provided).

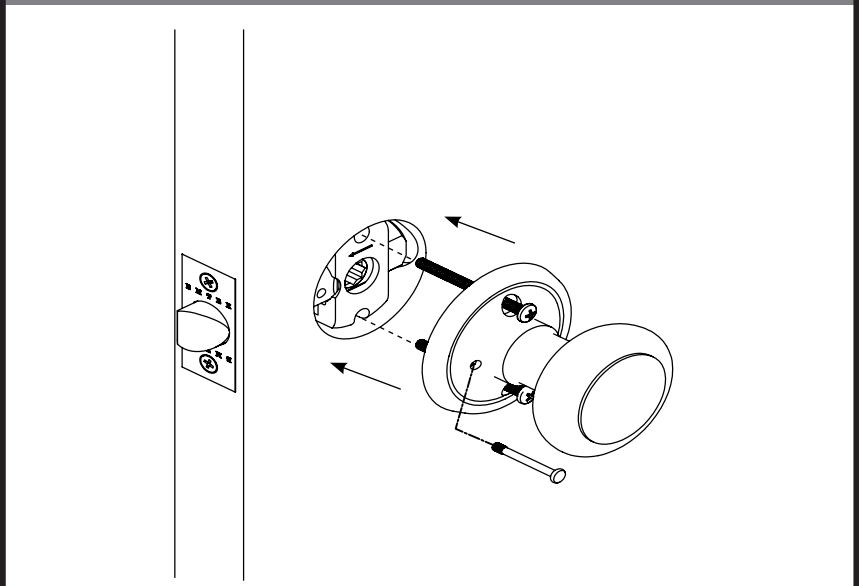


## 5. Install Outside and Inside Trims.

Step 1. Position the outside trim through the bore hole.



Step 2. Fasten Inside Trim using two #8 machine screws (provided), and install Privacy Pin.



## Dummy Installation

Surface mount to door with wood screws (provided). Tighten set screw to secure Rosette and Lever to threaded stud with hex wrench (provided).

