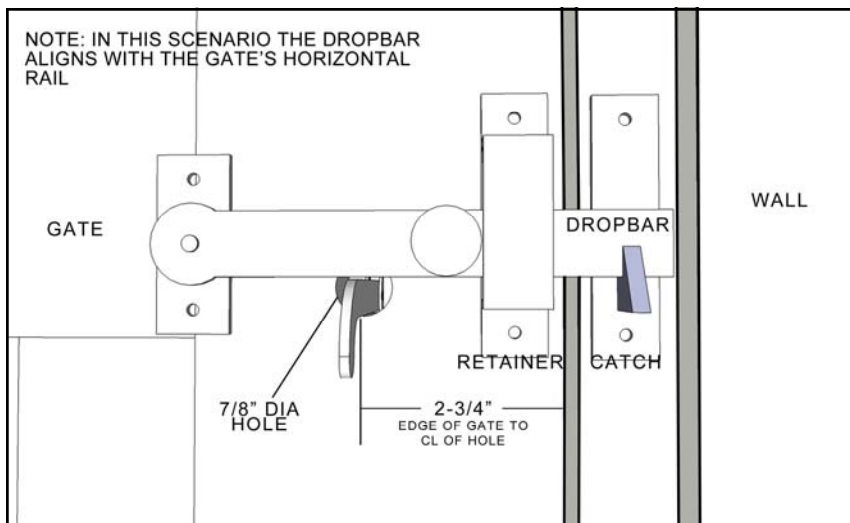


Bronze Thumb Latch w/ Dropbar, Yard Swing

INSTALLATION INSTRUCTIONS

Please review ALL diagrams and instructions in full prior to beginning installation.
Use this instruction in place of those inside of the hardware box.



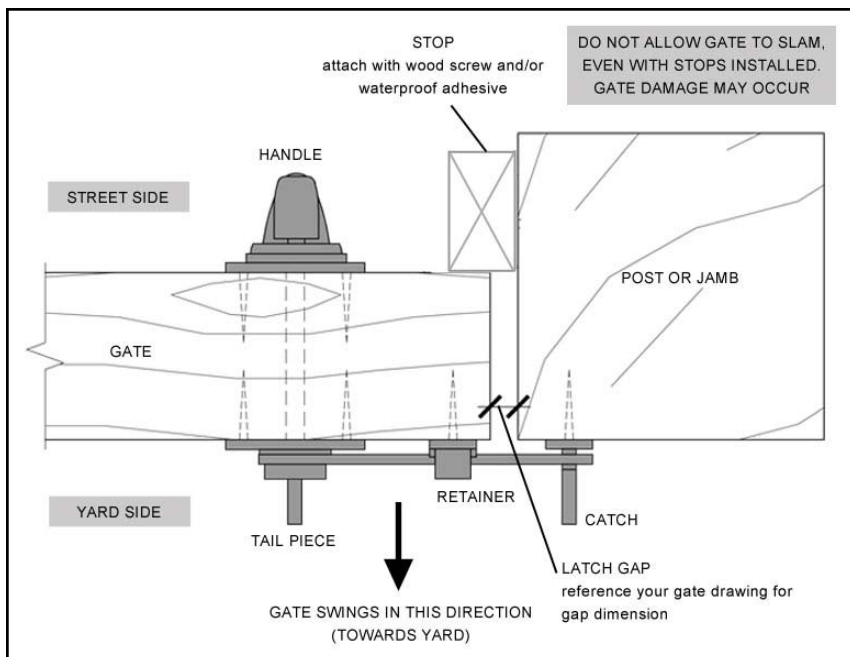
LATCH INSTALLATION

Install Latch after gate and hinges are installed.

- 1) With gate closed, determine appropriate latch height. On both sides, measure 2-3/4" from gate edge. Drill a 7/8" diameter hole at this location. Drill half way through gate from each side to prevent cracking or chipping of gate face.

PREDRILL FOR SCREWS TO PREVENT SPLITTING

3/32" DRILL BIT FOR #8 SCREWS
- 2) From street side, insert tail piece through hole. Tail piece should raise and lower to its fullest extent within the hole. Pre-drill for screws, re-position handle and attach with fasteners provided.
- 3) From yard side, position drop bar just above rested tail piece. Mark holes, pre-drill for screws, reposition drop bar and attach with fasteners provided.
- 4) Position retainer and catch so the drop bar is horizontal and barely resting towards the bottom of each.
- 5) Mark holes, pre-drill for screws, reposition and install catch and retainer with fasteners provided.



STOP INSTALLATION

Failure to install gate stops will void warranties.

- 1) Cut stop to be at least as long as the gate's edge height.
- 2) Mount stops to posts (or jambs, if applicable) using screws and/or weatherproof wood glue (such as Titebond III). Position stop with 1/32" gap between face of gate and stop when gate is closed.

