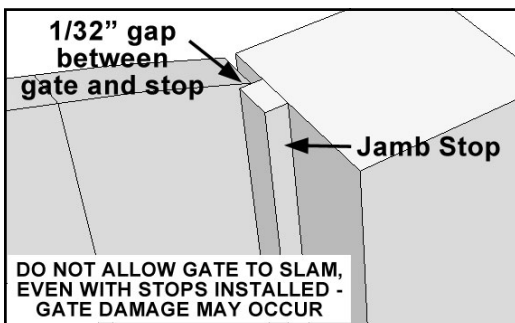
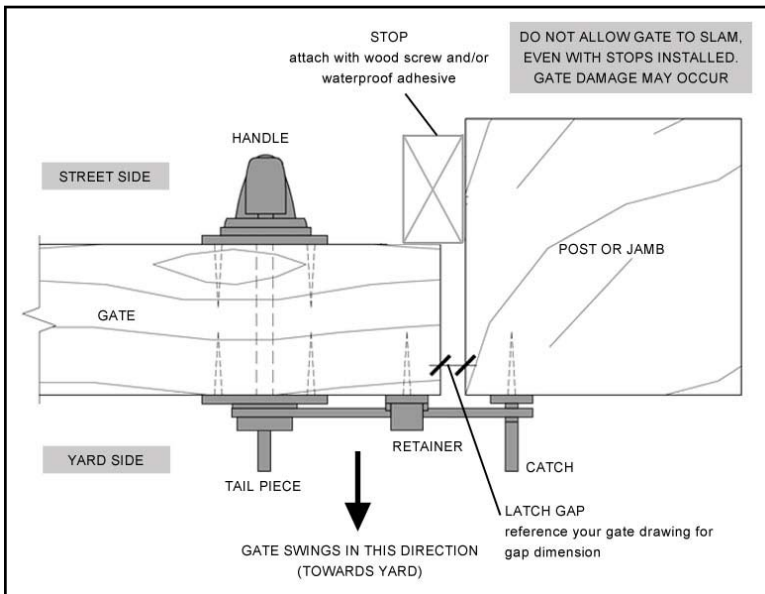
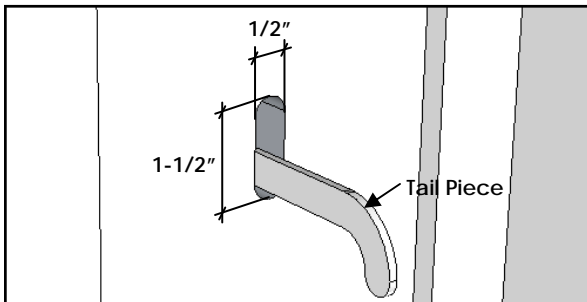
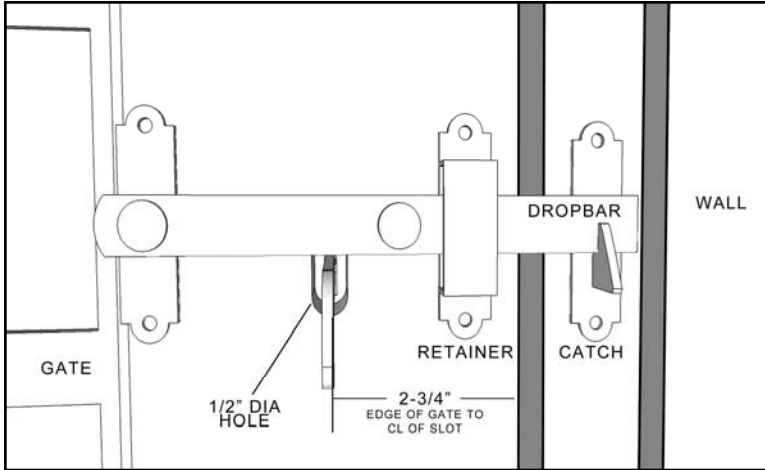


Windsor Thumb Latch, Yard Swing

INSTALLATION INSTRUCTIONS

Please review ALL diagrams and instructions in full prior to beginning installation.
Use this instruction in place of those inside of the hardware box.



LATCH INSTALLATION

Install Latch after gate and hinges are installed.

- 1) With gate in closed position, determine appropriate latch height location. Measure to the center of the stile and mark a vertical line 1 1/2" long. Drill a 1/2" hole at each end of the line and drill or cut out to make a slot 1 1/2" x 1/2".
- 2) From the front, pass the thumb bar through the slot ensuring it is positioned so that it can be raised and lowered to its fullest extent. Also, it should fall back under its own weight when raised. Secure back plate with screws provided.
- 3) Moving to back of the gate, position the latch tail so that it is level and resting across the top of the thumb bar. It should overlap on to the door frame by 1 1/4". Secure latch mount plate with screws provided.
- 4) Slide the keep over the end of the latch tail. Keeping the latch bar level, lift keep up as far as possible without moving latch tail. Secure keep with screws provided.
- 5) With the latch tail still level (resting on keep), position and fasten catch to door/gate frame with screws provided.

STOP INSTALLATION

Failure to install gate stops will void warranties.

- 1) Cut stop to be at least as long as the gate's edge height.
- 2) Mount stops to posts (or jambs, if applicable) using screws and/or weatherproof wood glue (such as Titebond III). Position stop with 1/32" gap between face of gate and stop when gate is closed.